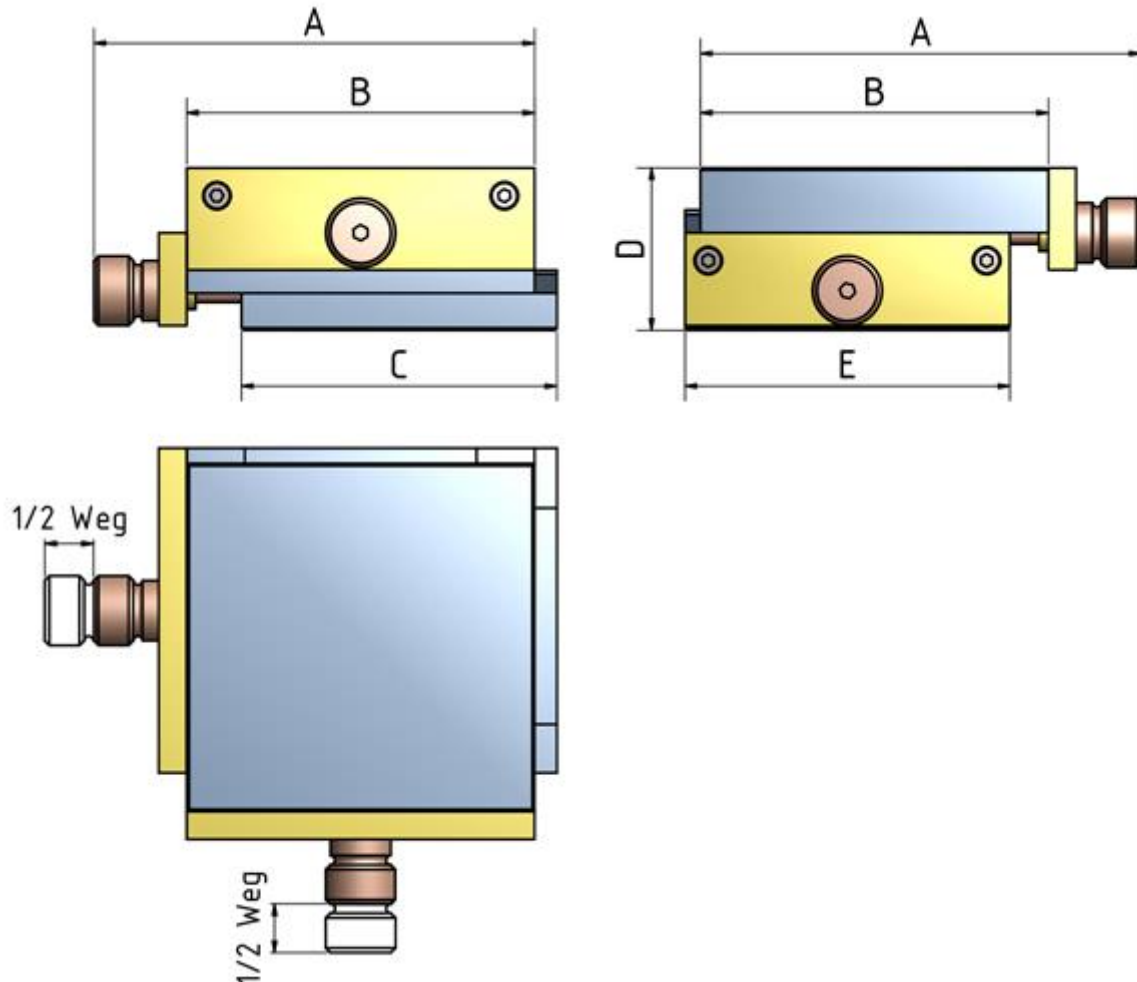


# Technische Angaben

## Kreuzkulisse : Typ B



### Technischer Plan: Typ B



### Technische Angaben: Typ B – Teil 1

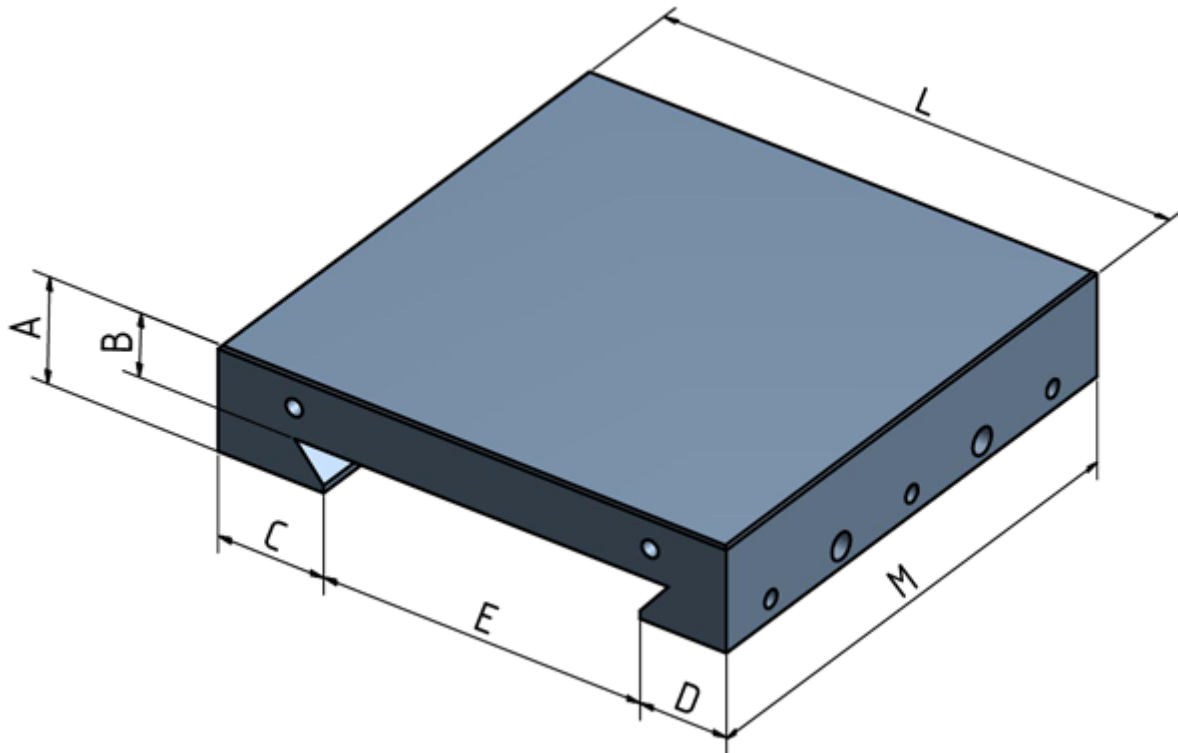
|                 | Weg | A     | B   | C   | D  | E   | Gewicht in KG |       | Spindel | Material |    |
|-----------------|-----|-------|-----|-----|----|-----|---------------|-------|---------|----------|----|
|                 |     |       |     |     |    |     | AL            | GG    |         | AL       | GG |
| <b>40x40</b>    | 14  | 53    | 40  | 35  | 25 | 35  | 0.10          | 0.28  | M4x0.5  | AL       | GG |
| <b>55x55</b>    | 14  | 70.5  | 55  | 48  | 30 | 50  | 0.30          | 0.64  | M5x0.5  | AL       | GG |
| <b>75x75</b>    | 20  | 95    | 75  | 68  | 35 | 70  | 0.66          | 1.42  | M5x0.5  | AL       | GG |
| <b>100x100</b>  | 30  | 123   | 100 | 84  | 49 | 84  | 1.39          | 3.10  | M8x1.0  | AL       | GG |
| <b>100x100N</b> | 20  | 166.5 | 100 | 84  | 28 | 84  | 0.78          | 1.78  | M5x0.5  | AL       | GG |
| <b>125x125</b>  | 38  | 158   | 125 | 110 | 55 | 120 | 2.74          | 6.03  | M10x1.0 | AL       | GG |
| <b>150x150</b>  | 38  | 183   | 150 | 125 | 55 | 145 | 3.72          | 8.52  | M10x1.0 | AL       | GG |
| <b>150x150N</b> | 38  | 183   | 150 | 125 | 43 | 145 | 2.80          | 6.55  | M10x1.0 | AL       | GG |
| <b>200x200</b>  | 38  | 233   | 200 | 160 | 70 | 160 | 6.60          | 16.40 | M10x1.0 | AL       | GG |

# Technische Angaben

Kreuzkulisse : Typ B



## Geometrie Oberteil: Typ B



## Technische Angaben: Typ B – Teil 2a

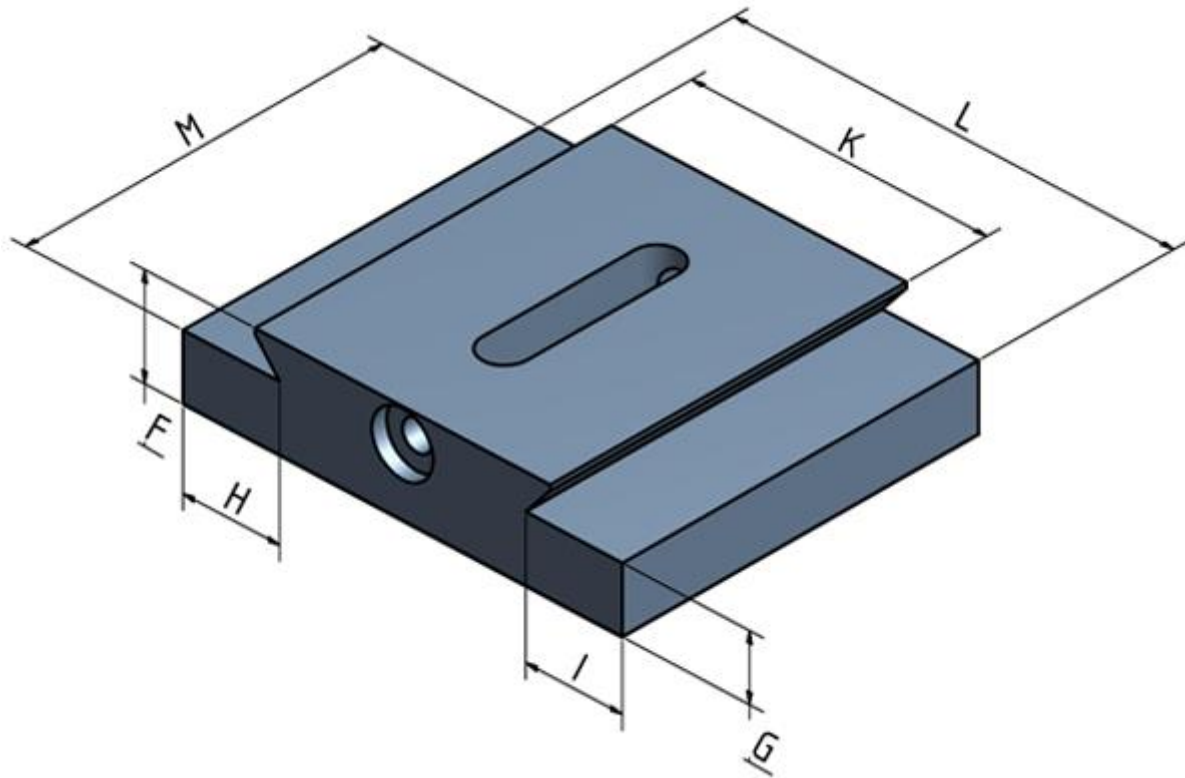
|                 | L   | M   | A  | B    | C    | D    | E     |
|-----------------|-----|-----|----|------|------|------|-------|
| <b>40x40</b>    | 40  | 40  | 10 | 5.8  | 9.3  | 6.8  | 23.9  |
| <b>55x55</b>    | 55  | 55  | 13 | 7.7  | 13   | 10.6 | 31.4  |
| <b>75x75</b>    | 75  | 75  | 14 | 8.7  | 15   | 12.5 | 47.5  |
| <b>100x100</b>  | 100 | 100 | 20 | 11.7 | 20.8 | 17.2 | 62    |
| <b>100x100N</b> | 100 | 100 | 12 | 6.8  | 19.5 | 17   | 63.5  |
| <b>125x125</b>  | 125 | 125 | 24 | 13.8 | 27.8 | 22.4 | 74.8  |
| <b>150x150</b>  | 150 | 150 | 24 | 13.2 | 27.2 | 22.2 | 100.6 |
| <b>150x150N</b> | 150 | 150 | 16 | 8    | 26   | 22   | 102   |
| <b>200x200</b>  | 200 | 200 | 28 | 15.6 | 33.7 | 28.7 | 137.6 |

# Technische Angaben

Kreuzkulisse : Typ B



## Geometrie Unterteil: Typ B



## Technische Angaben: Typ B – Teil 2b

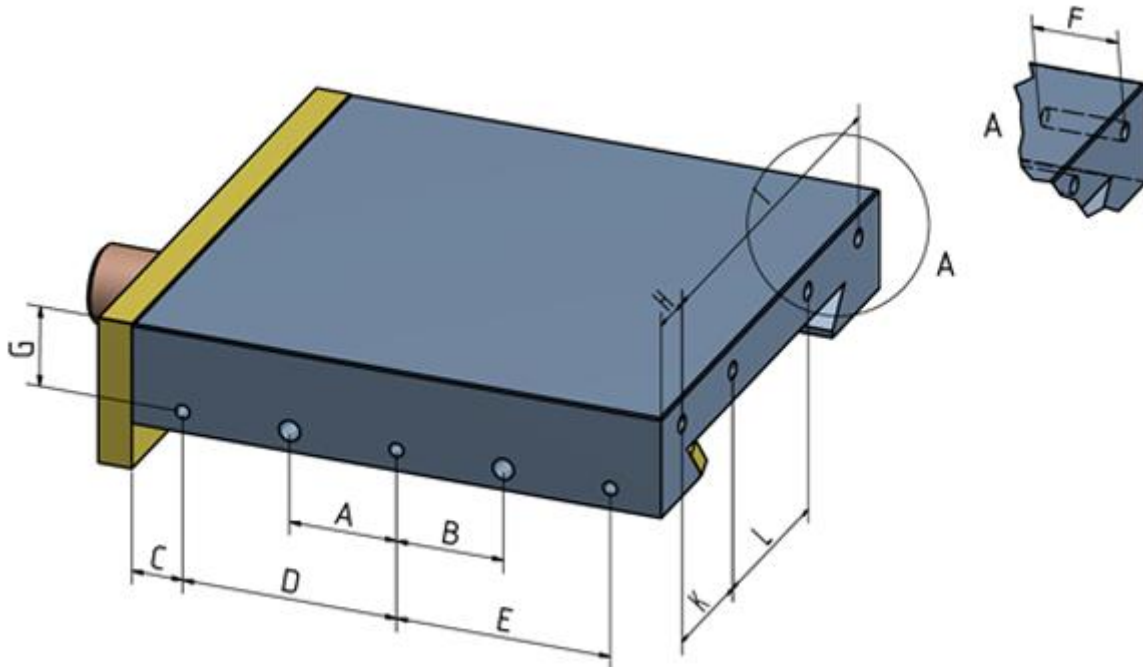
|                 | L   | M   | F   | G    | H   | I   | K    |
|-----------------|-----|-----|-----|------|-----|-----|------|
| <b>40x40</b>    | 35  | 35  | 9.1 | 5    | 9.1 | 6.7 | 24.5 |
| <b>55x55</b>    | 50  | 48  | 11  | 6    | 14  | 12  | 30.7 |
| <b>75x75</b>    | 70  | 68  | 13  | 8    | 16  | 14  | 46.5 |
| <b>100x100</b>  | 84  | 84  | 18  | 10   | 23  | 19  | 54   |
| <b>100x100N</b> | 84  | 84  | 11  | 6    | 19  | 17  | 54.7 |
| <b>125x125</b>  | 120 | 110 | 21  | 11   | 29  | 24  | 82.4 |
| <b>150x150</b>  | 145 | 125 | 21  | 11   | 29  | 24  | 106  |
| <b>150x150N</b> | 145 | 125 | 18  | 10.5 | 26  | 22  | 107  |
| <b>200x200</b>  | 160 | 160 | 28  | 16   | 31  | 26  | 121  |

# Technische Angaben



## Kreuzkulisser : Typ B

### Geometrie Klemmleiste: Typ B



### Technische Angaben: Typ B – Teil 3

|                 | A     | B     | C   | D    | E    | F  | G    | H   | I   | K  | L  |
|-----------------|-------|-------|-----|------|------|----|------|-----|-----|----|----|
| <b>40x40</b>    | -     | -     | 6   | 14   | 14   | 7  | 7.8  | 8   | 24  | -  | -  |
| <b>55x55</b>    | -     | -     | 7.5 | 20   | 20   | 9  | 10   | 6.5 | 42  | -  | -  |
| <b>75x75</b>    | 12.75 | 12.75 | 12  | 25.5 | 25.5 | 11 | 11   | 6.5 | 62  | -  | -  |
| <b>100x100</b>  | 20    | 20    | 12  | 38   | 38   | 15 | 16   | 15  | 70  | -  | -  |
| <b>100x100N</b> | 20    | 20    | 12  | 38   | 38   | 9  | 9    | 8   | 84  | -  | -  |
| <b>125x125</b>  | 25.5  | 25.5  | 12  | 50.5 | 50.5 | 20 | 19   | 12  | 101 | 29 | 43 |
| <b>150x150</b>  | 30    | 30    | 15  | 60   | 60   | 20 | 19   | 14  | 122 | 40 | 42 |
| <b>150x150N</b> | 30    | 30    | 15  | 60   | 60   | 10 | 11.7 | 14  | 122 | 40 | 42 |
| <b>200x200</b>  | 40    | 40    | 20  | 80   | 80   | 20 | 22   | 20  | 160 | 50 | 60 |