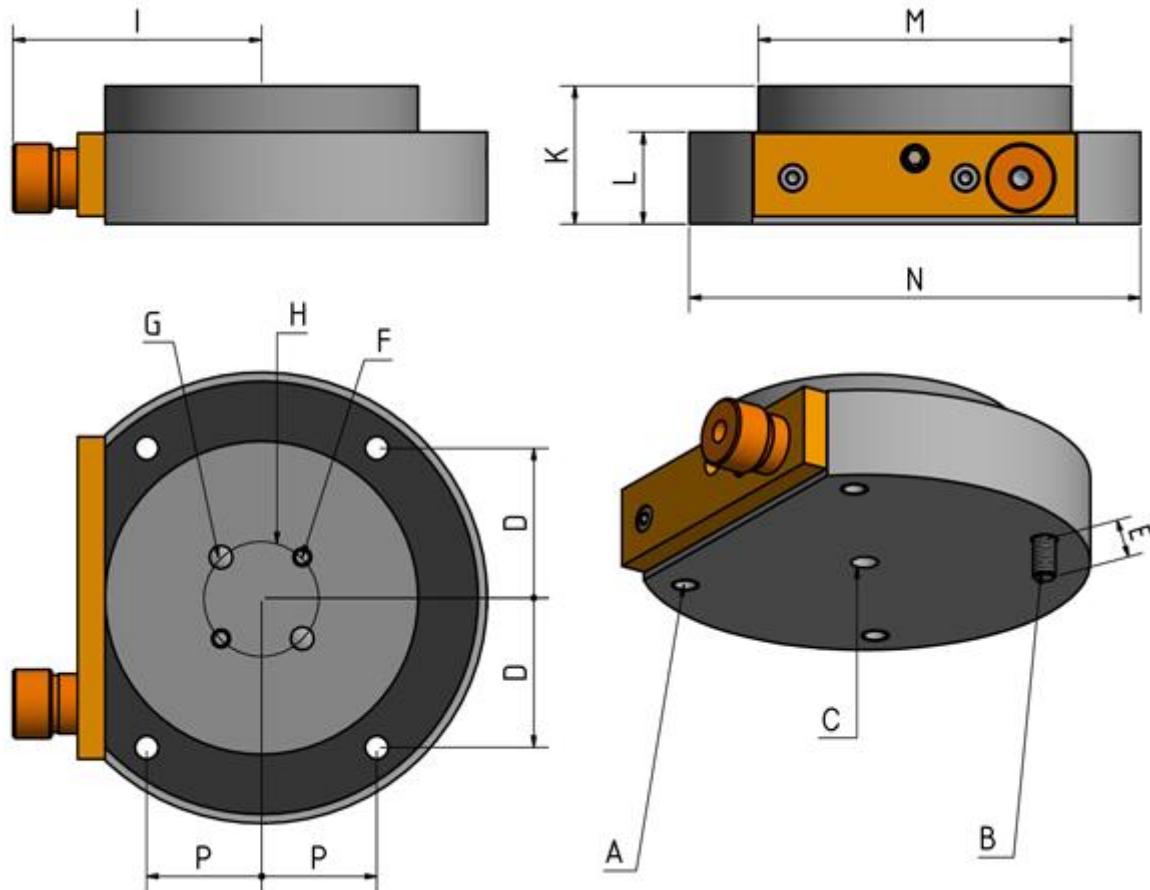


# Technical information

Rotary module : Type S



## Technical plan: Type S



## Technical information

<b>A</b>	Variant A 4x M6x13
<b>B</b>	Variant B 4x M5
<b>C</b>	$\phi 6$ H7 x3
<b>D</b>	32.5
<b>E</b>	9
<b>F</b>	2x M4x5
<b>G</b>	2x $\phi 5$ H7
<b>H</b>	$\phi 25 \pm 0.01$
<b>I</b>	54
<b>K</b>	30
<b>L</b>	20
<b>M</b>	$\phi 68$
<b>N</b>	$\phi 98$
<b>P</b>	25