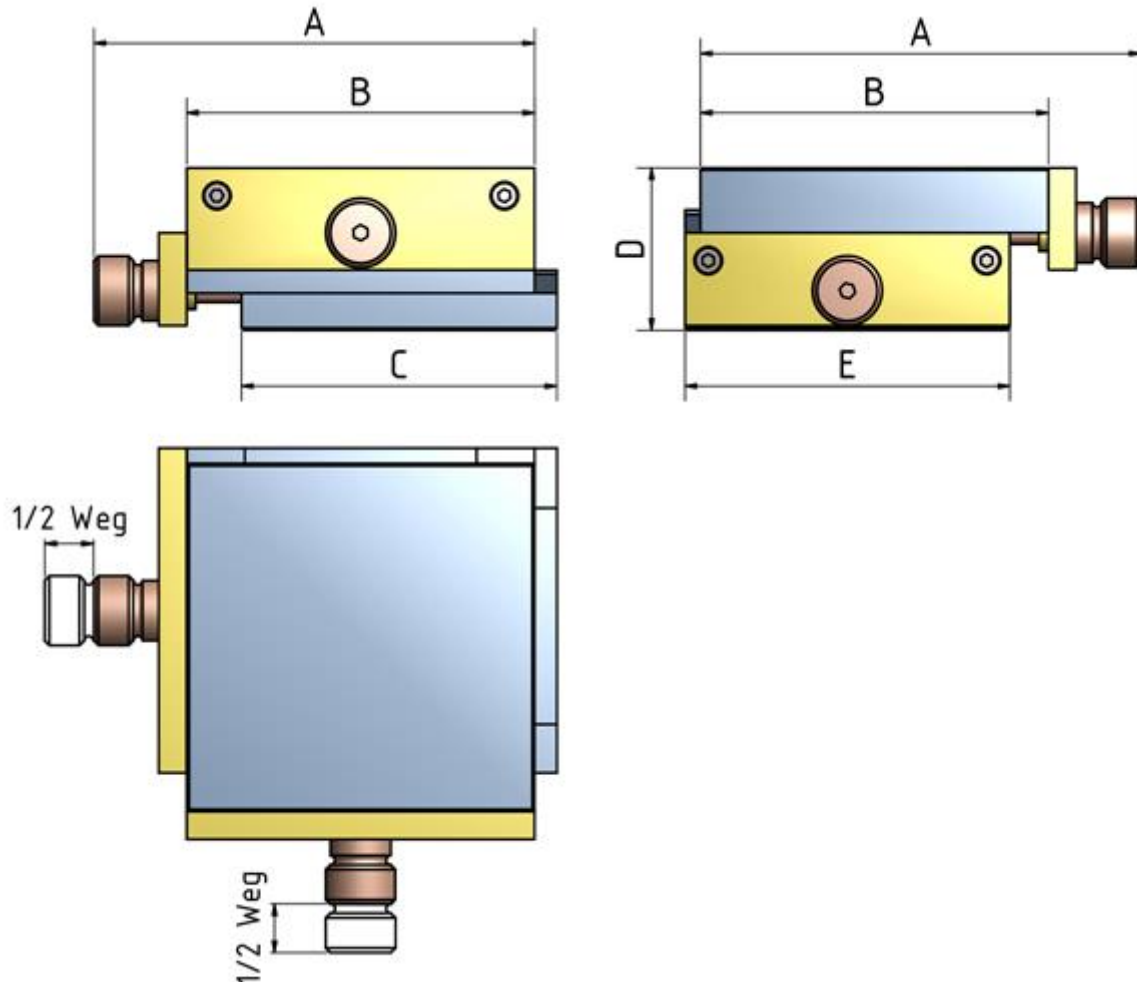


Technical information

Cross slide : Type B



Technical information: Type B



Technical information: Type B – Part 1

	Path	A	B	C	D	E	Weight in kg		Spindle	Material	
							AL	GG		AL	GG
40x40	14	53	40	35	25	35	0.10	0.28	M4x0.5	AL	GG
55x55	14	70.5	55	48	30	50	0.30	0.64	M5x0.5	AL	GG
75x75	20	95	75	68	35	70	0.66	1.42	M5x0.5	AL	GG
100x100	30	123	100	84	49	84	1.39	3.10	M8x1.0	AL	GG
100x100N	20	166.5	100	84	28	84	0.78	1.78	M5x0.5	AL	GG
125x125	38	158	125	110	55	120	2.74	6.03	M10x1.0	AL	GG
150x150	38	183	150	125	55	145	3.72	8.52	M10x1.0	AL	GG
150x150N	38	183	150	125	43	145	2.80	6.55	M10x1.0	AL	GG
200x200	38	233	200	160	70	160	6.60	16.40	M10x1.0	AL	GG

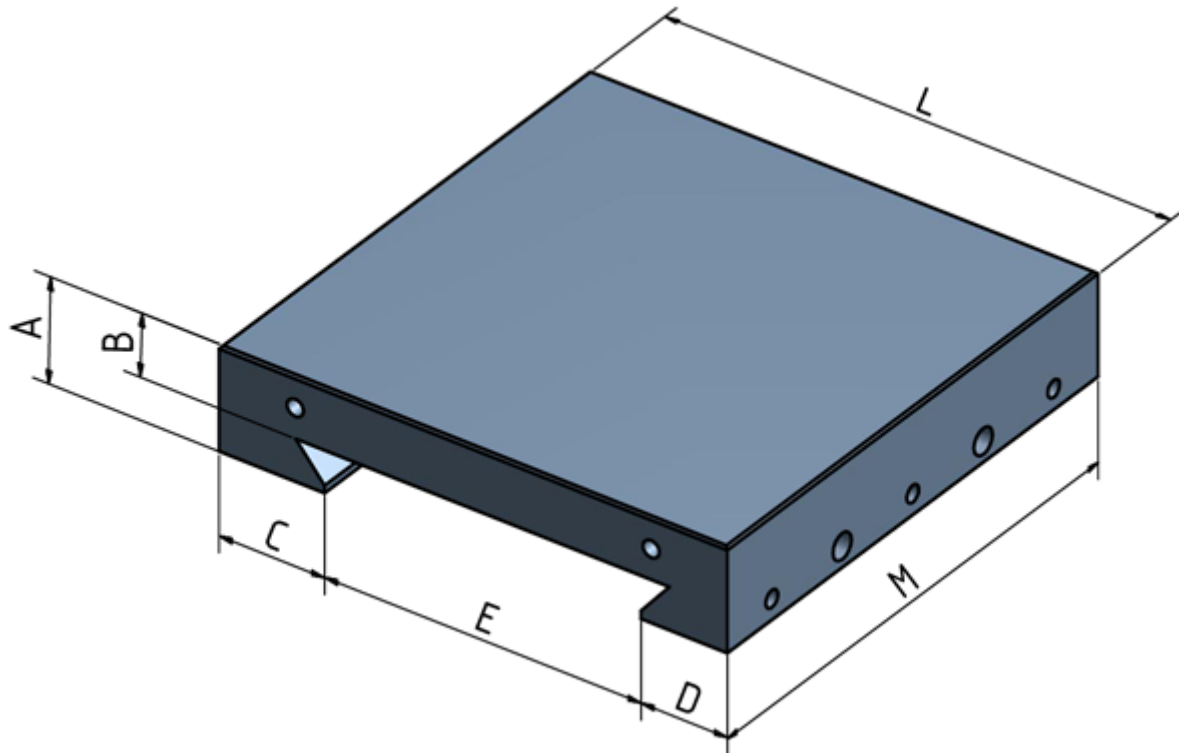
AL = Aluminum / GG = Cast Iron

Technical information

Cross slide : Type B



Geometry of upper part: Type B



Technical information: Type B – Part 2a

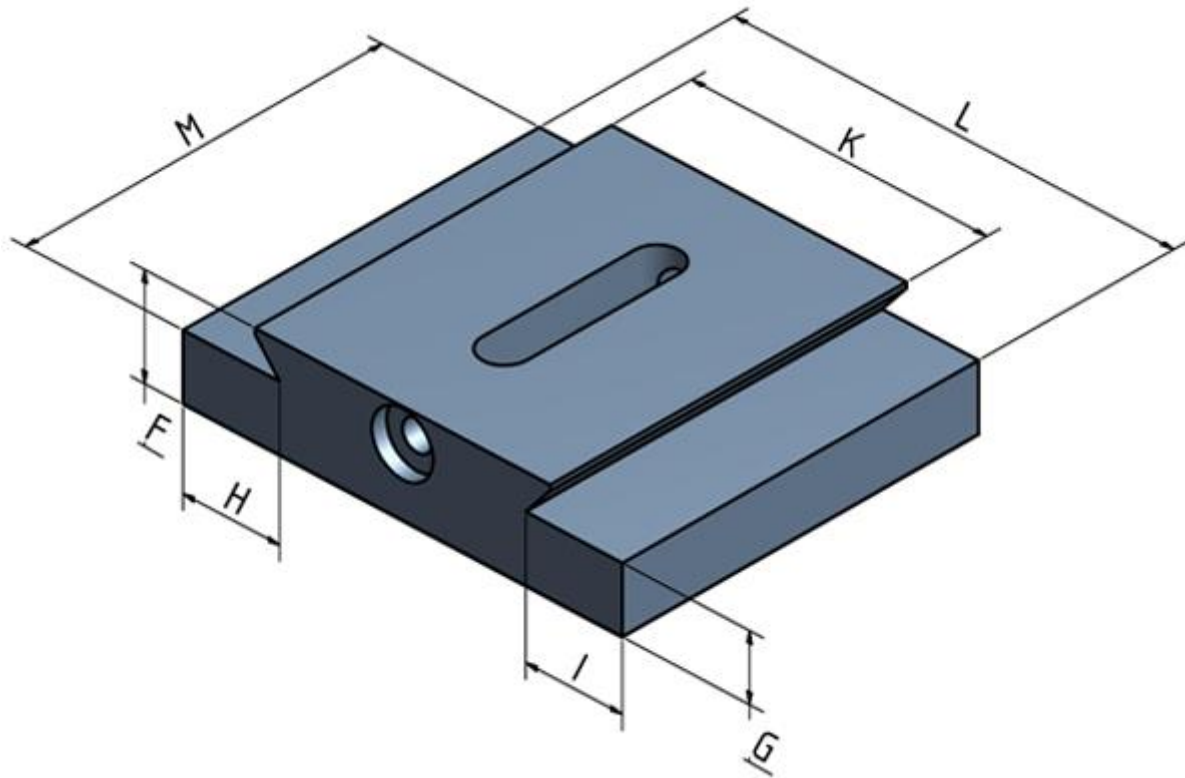
	L	M	A	B	C	D	E
40x40	40	40	10	5.8	9.3	6.8	23.9
55x55	55	55	13	7.7	13	10.6	31.4
75x75	75	75	14	8.7	15	12.5	47.5
100x100	100	100	20	11.7	20.8	17.2	62
100x100N	100	100	12	6.8	19.5	17	63.5
125x125	125	125	24	13.8	27.8	22.4	74.8
150x150	150	150	24	13.2	27.2	22.2	100.6
150x150N	150	150	16	8	26	22	102
200x200	200	200	28	15.6	33.7	28.7	137.6

Technical information

Cross slide : Type B



Geometry of lower part: Type B



Technical information: Type B – Part 2b

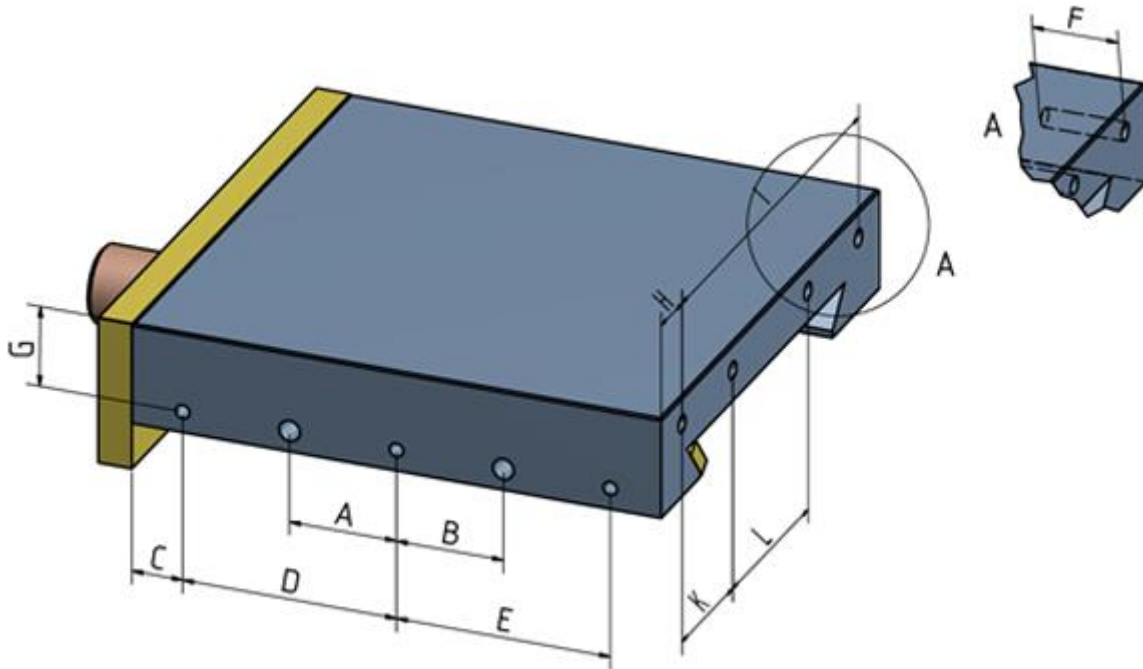
	L	M	F	G	H	I	K
40x40	35	35	9.1	5	9.1	6.7	24.5
55x55	50	48	11	6	14	12	30.7
75x75	70	68	13	8	16	14	46.5
100x100	84	84	18	10	23	19	54
100x100N	84	84	11	6	19	17	54.7
125x125	120	110	21	11	29	24	82.4
150x150	145	125	21	11	29	24	106
150x150N	145	125	18	10.5	26	22	107
200x200	160	160	28	16	31	26	121

Technical information

Cross slide : Type B



Geometry of plate to lock: Type B



Technical information: Type B – Part 3

	A	B	C	D	E	F	G	H	I	K	L
40x40	-	-	6	14	14	7	7.8	8	24	-	-
55x55	-	-	7.5	20	20	9	10	6.5	42	-	-
75x75	12.75	12.75	12	25.5	25.5	11	11	6.5	62	-	-
100x100	20	20	12	38	38	15	16	15	70	-	-
100x100N	20	20	12	38	38	9	9	8	84	-	-
125x125	25.5	25.5	12	50.5	50.5	20	19	12	101	29	43
150x150	30	30	15	60	60	20	19	14	122	40	42
150x150N	30	30	15	60	60	10	11.7	14	122	40	42
200x200	40	40	20	80	80	20	22	20	160	50	60