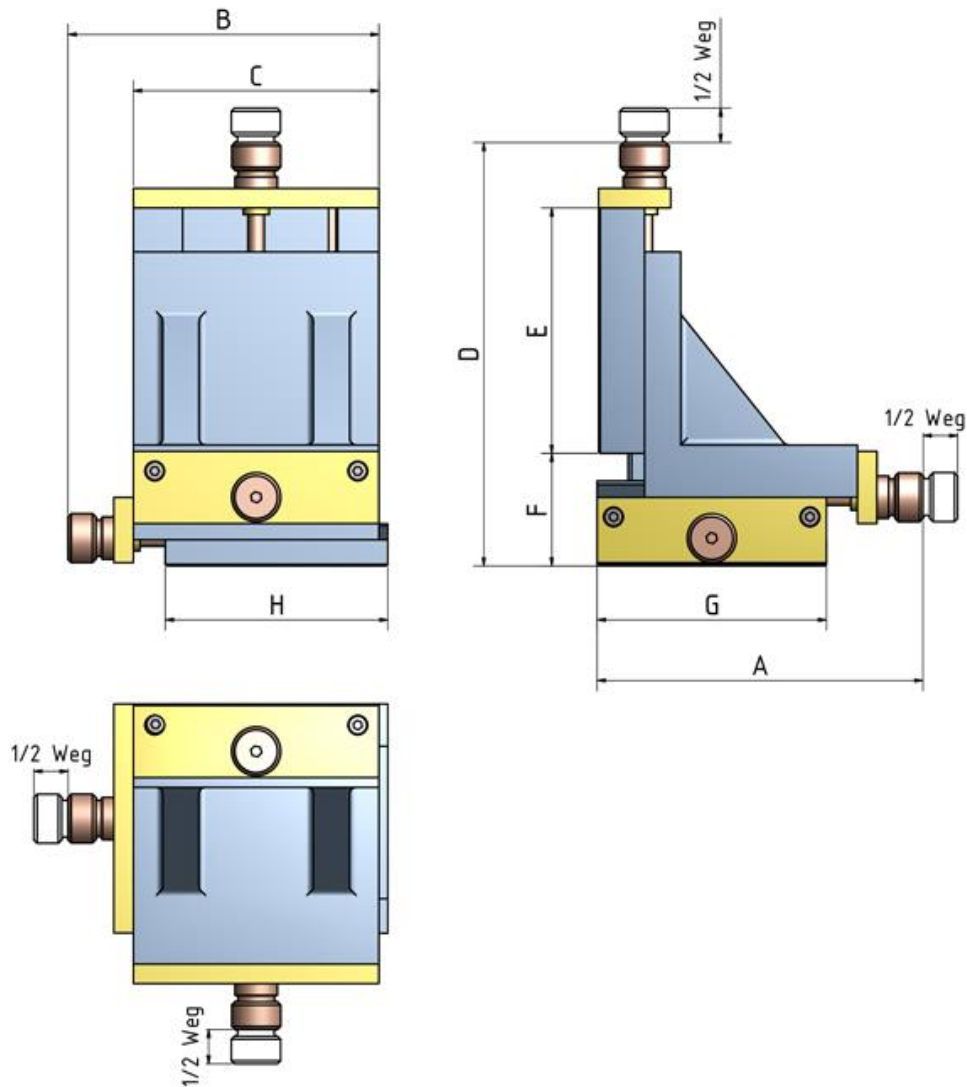


Information technique

Coulisse en croix d'équerre : Type C



Plan technique: Type C



Information technique: Type C – Part 1

| | Course | | | | | | | | | Poid en kg | | Broche | Matériel | |
|----------------|--------|-----|-----|-----|-------|-----|----|-----|-----|------------|-------|---------|----------|----|
| | | A | B | C | D | E | F | G | H | AL | GG | | AL | GG |
| 40x40 | 14 | 55 | 53 | 40 | 80 | 40 | 27 | 35 | 35 | 0.28 | 0.64 | M4x0.5 | AL | GG |
| 55x55 | 20 | 75 | 70 | 55 | 102.5 | 55 | 33 | 50 | 48 | 0.54 | 1.25 | M5x0.5 | AL | GG |
| 75x75 | 20 | 100 | 95 | 75 | 131 | 75 | 36 | 70 | 68 | 1.14 | 2.52 | M5x0.5 | AL | GG |
| 100x100 | 32 | 123 | 123 | 100 | 174 | 100 | 51 | 84 | 84 | 2.41 | 5.55 | M8x1.0 | AL | GG |
| 125x125 | 35 | 170 | 158 | 125 | 218 | 125 | 60 | 120 | 110 | - | 11.42 | M10x1.0 | - | GG |
| 150x150 | 37 | 197 | 183 | 150 | 242 | 150 | 60 | 145 | 125 | - | 16.64 | M10x1.0 | - | GG |

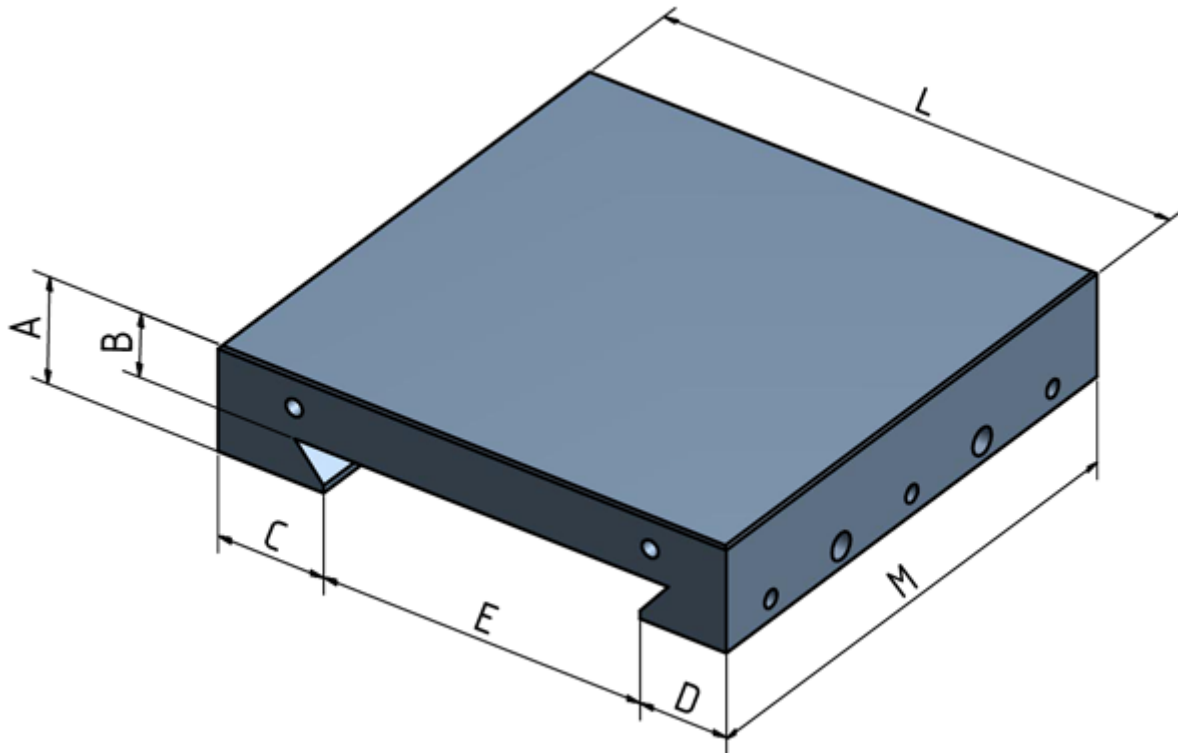
AL = Aluminium / GG = Fonte grise

Information technique

Coulisse en croix d'équerre : Type C



Géométrie de la partie supérieure: Type C



Information technique: Type C – Part 2a

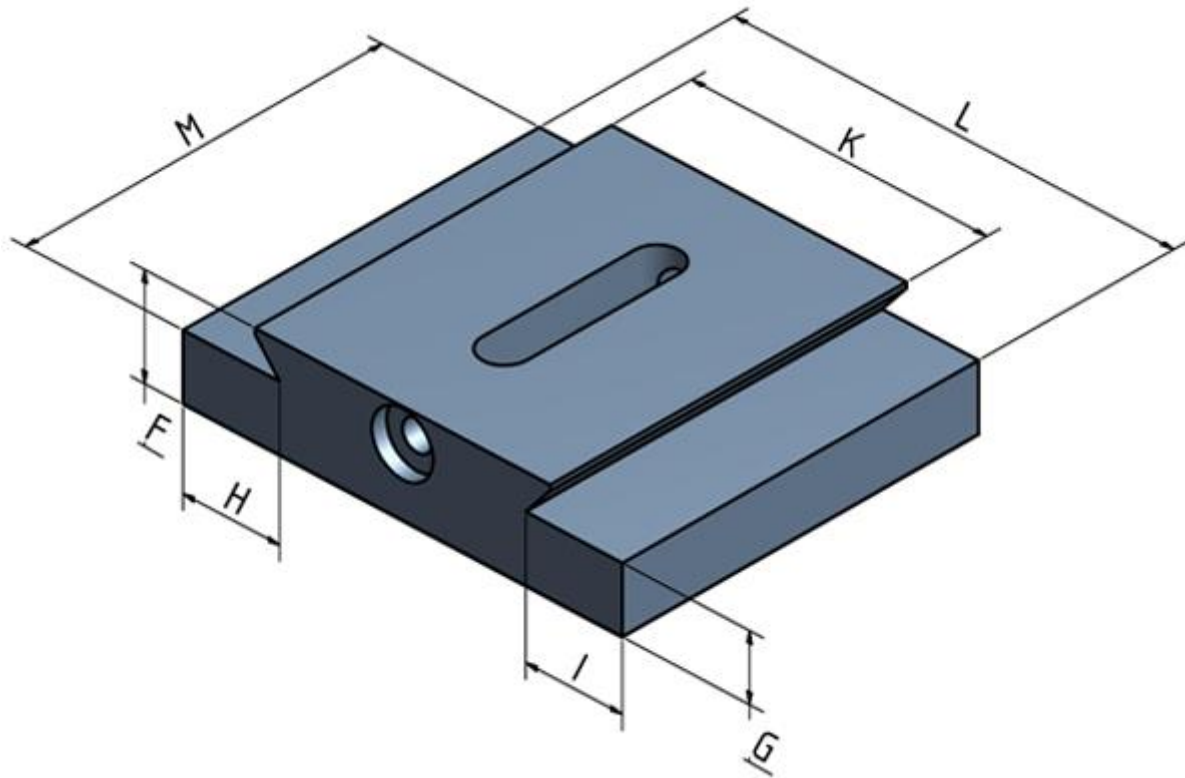
| | L | M | A | B | C | D | E |
|----------------|-----|-----|----|------|------|------|-------|
| 40x40 | 40 | 40 | 10 | 5.8 | 9.3 | 6.8 | 23.9 |
| 55x55 | 55 | 55 | 13 | 7.7 | 13 | 10.6 | 31.4 |
| 75x75 | 75 | 75 | 14 | 8.7 | 15 | 12.5 | 47.5 |
| 100x100 | 100 | 100 | 20 | 11.7 | 20.8 | 17.2 | 62 |
| 125x125 | 125 | 125 | 24 | 13.8 | 27.8 | 22.4 | 74.8 |
| 150x150 | 150 | 150 | 24 | 13.2 | 27.2 | 22.2 | 100.6 |

Information technique



Coulisse en croix d'équerre : Type C

Géométrie de la partie inférieure: Type C



Information technique Type C – Part 2b

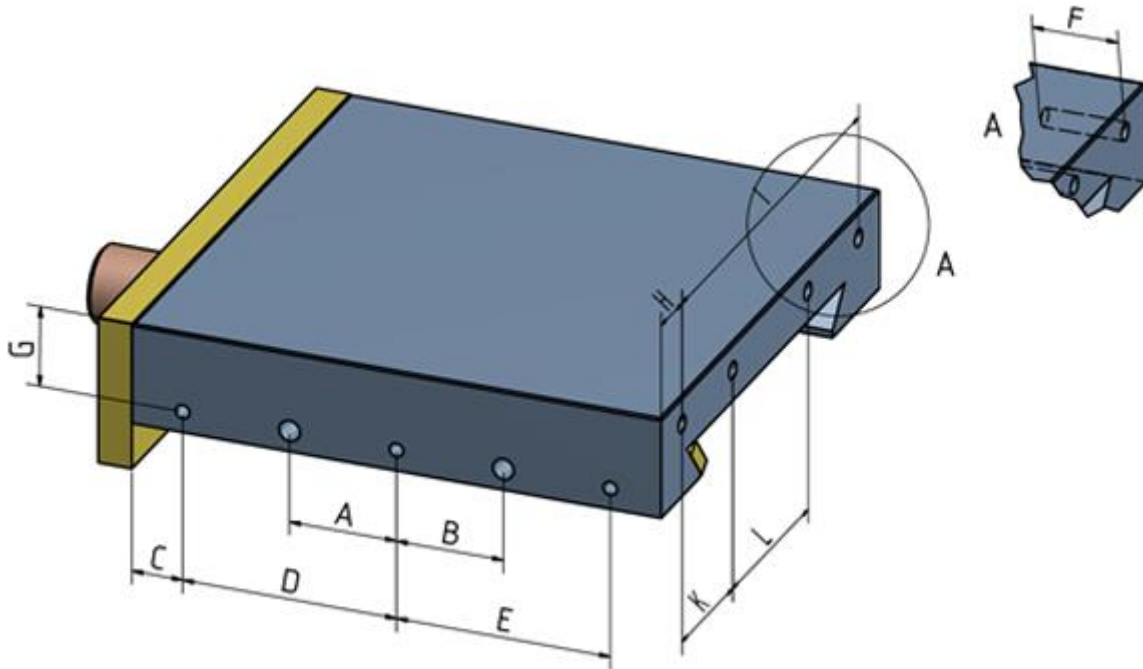
| | L | M | F | G | H | I | K |
|----------------|-----|-----|-----|----|-----|-----|------|
| 40x40 | 35 | 35 | 9.1 | 5 | 9.1 | 6.7 | 24.5 |
| 55x55 | 50 | 48 | 11 | 6 | 14 | 12 | 30.7 |
| 75x75 | 70 | 68 | 13 | 8 | 16 | 14 | 46.5 |
| 100x100 | 84 | 84 | 18 | 10 | 23 | 19 | 54 |
| 125x125 | 120 | 110 | 21 | 11 | 29 | 24 | 82.4 |
| 150x150 | 145 | 125 | 21 | 11 | 29 | 24 | 106 |

Information technique



Coulisse en croix d'équerre : Type C

Géométrie lardon: Type C



Information technique: Type C – Part 3

| | A | B | C | D | E | F | G | H | I | K | L |
|----------------|-------|-------|-----|------|------|----|-----|-----|-----|----|----|
| 40x40 | - | - | 6 | 14 | 14 | 7 | 7.8 | 8 | 24 | - | - |
| 55x55 | - | - | 7.5 | 20 | 20 | 9 | 10 | 6.5 | 42 | - | - |
| 75x75 | 12.75 | 12.75 | 12 | 25.5 | 25.5 | 11 | 11 | 6.5 | 62 | - | - |
| 100x100 | 20 | 20 | 12 | 38 | 38 | 15 | 16 | 15 | 70 | - | - |
| 125x125 | 25.5 | 25.5 | 12 | 50.5 | 50.5 | 20 | 19 | 12 | 101 | 29 | 43 |
| 150x150 | 30 | 30 | 15 | 60 | 60 | 20 | 19 | 14 | 122 | 40 | 42 |